

E-Series RF 1:1 Transformer 0.3-400 MHz

M/A-COM Products
Advanced - Rev. V1

Features

- 1:1 Impedance Ratio
- Surface Mount
- Tape and reel packaging available
- 260°C Reflow Compatible
- RoHS* compliant version of the ET1-1-SM1

Description

M/A-COM's MABA-009126-ET11SM is a RoHS Compliant 1:1 RF transformer in a low cost, surface mount package. Typical applications include single to balanced mode conversion and impedance matching.

The MABA-009126-ET11SM is available in a SM-1 surface mount package and is designed to be utilized in both RoHS and standard reflow profiles. Parts are packaged in tape & reel.

Product Image



Ordering Information

Part Number	Package
MABA-009126-ET11SM	Tape and Reel (900 piece Reel)

Electrical Specifications: $T_A = 25^\circ\text{C}$, $Z_0 = 50\Omega$

Parameter	Test Conditions	Frequency (MHz)	Units	Typ	Max
Insertion Loss		2-50	dB	0.6	1
		0.6-250	dB	1	2
		0.3-400	dB	1.5	3

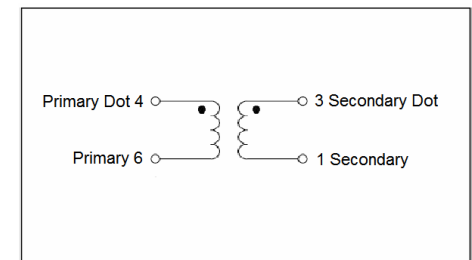
Pin Configuration

Pin No.	Function
1	Secondary
2 & 5	Not Connected
3	Secondary Dot
4	Primary Dot
6	Primary

Absolute Maximum Ratings

Parameter	Absolute Maximum
RF Power	250 mW
DC Current	240 mA ²
Operating Temperature	-40°C to +85°C
Storage Temperature	-55°C to +125°C

Schematic



Absolute Maximum Ratings

1. Exceeding any one or combination of these limits may cause permanent damage to this device.
2. M/A-COM does not recommend sustained operation near these survivability limits.

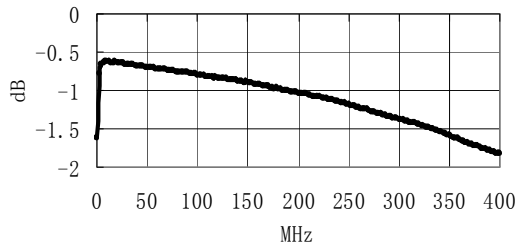
E-Series RF 1:1 Transformer 0.3-400 MHz

M/A-COM Products
Advanced - Rev. V1

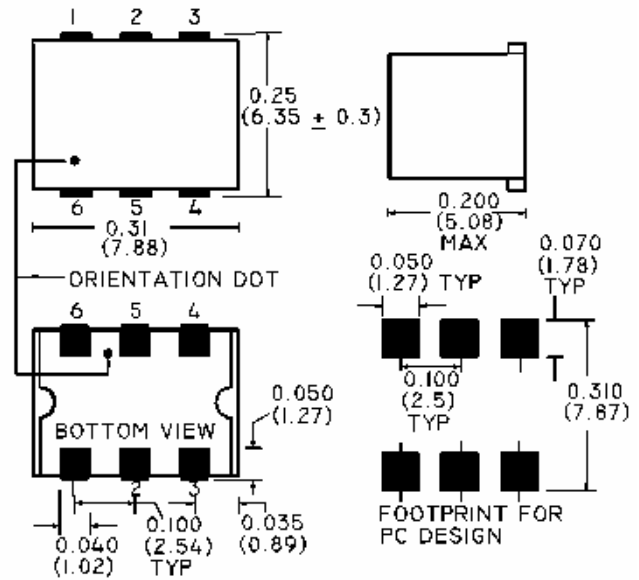
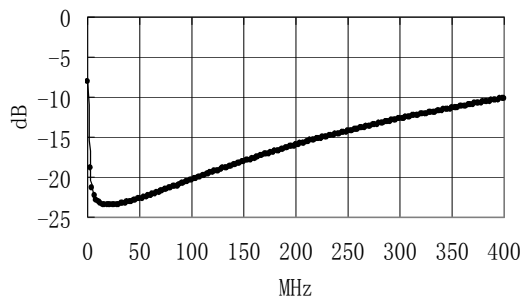
Typical Performance Curves at +25°C

SM - 1 Package

Insertion Loss



Input Return Loss



* Dimensions are inches (millimeters) ±0.015 (0.38) unless otherwise specified.

ADVANCED: Data Sheets contain information regarding a product M/A-COM is considering for development. Performance is based on target specifications, simulated results, and/or prototype measurements. Commitment to develop is not guaranteed.

PRELIMINARY: Data Sheets contain information regarding a product M/A-COM has under development. Performance is based on engineering tests. Specifications are typical. Mechanical outline has been fixed. Engineering samples and/or test data may be available. Commitment to produce in volume is not guaranteed.

- **North America** Tel: 800.366.2266 / Fax: 978.366.2266
- **Europe** Tel: 44.1908.574.200 / Fax: 44.1908.574.300
- **Asia/Pacific** Tel: 81.44.844.8296 / Fax: 81.44.844.8298

Visit www.macom.com for additional data sheets and product information.

M/A-COM Inc. and its affiliates reserve the right to make changes to the product(s) or information contained herein without notice.